

REVISIONS				
ECN	REV.	DESCRIPTION	DATE	APPROVED

BRACES ROTATED FOR CLARITY

Ø2.00 X 3/8 WALL

38 5/16

50 1/8

24 SQ.

DWG. NO. MODEL MB  
SHEET REV. 1 0

THIS DESIGN AND PRINT ARE THE EXCLUSIVE PROPERTY OF METAL & CABLE INC. AND SHALL NOT BE COPIED OR REPRODUCED, NOR TRANSMITTED OR DISCLOSED TO ANOTHER PARTY WITHOUT WRITTEN PERMISSION FROM ARGO TOOL INC. RECEIPT OF DRAWING CONSTITUTES AGREEMENT.

DO NOT SCALE THIS DRAWING UNLESS OTHERWISE SPECIFIED DIMENSIONS ARE IN IN. & LBS. TOLERANCES ARE:

FRACTIONS	DECIMALS
± 1/32	.X ± .100
ANGLES	.XX ± .010
± 0° 30'	.XXX ± .005

SURFACE FINISH IN MICROINCHES UNLESS OTHERWISE SPECIFIED 125

MAT'L

ENGINEERING DEPT.	
DRAWN	RLB 7-24-09
ENGINEERING	

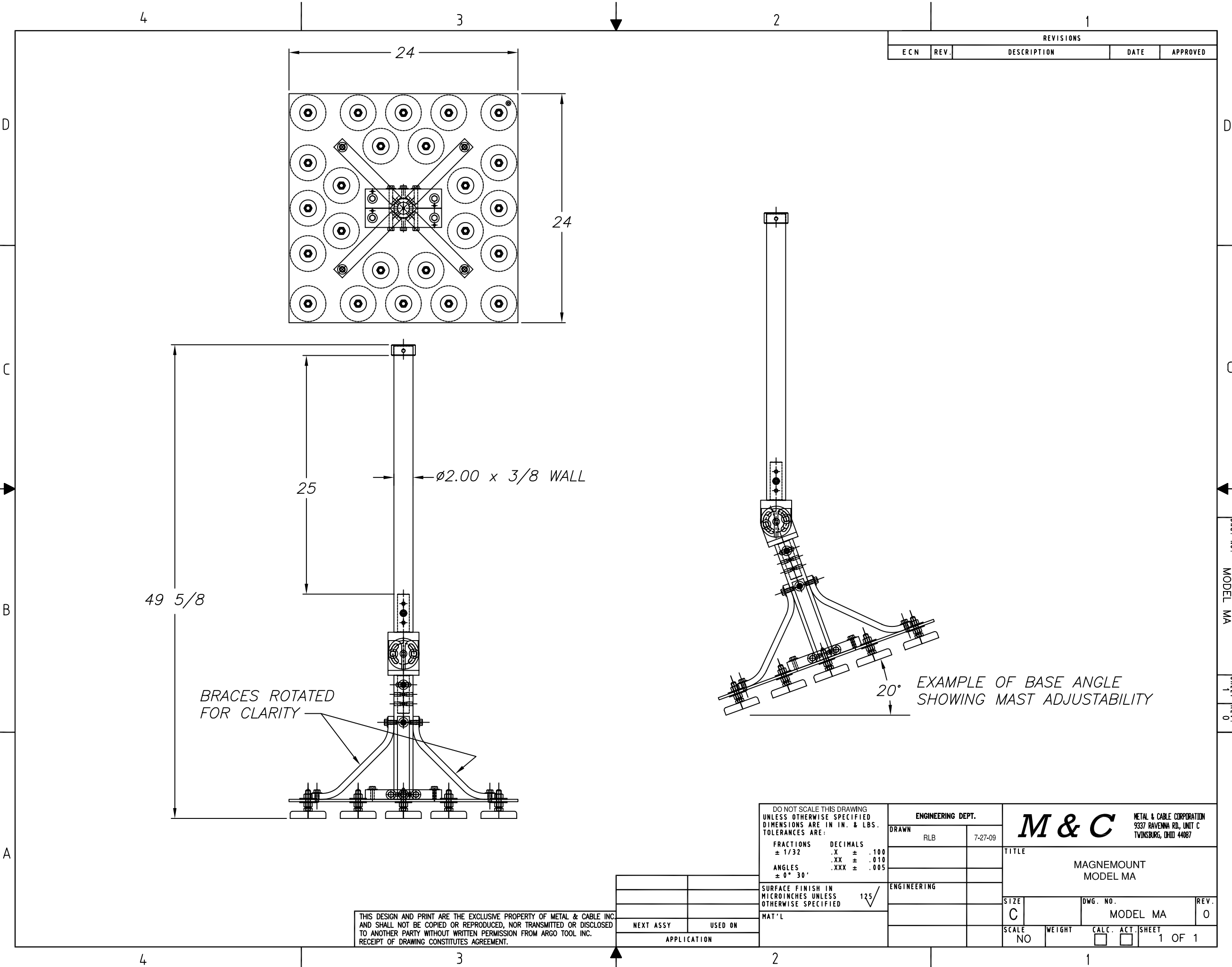
**M & C** METAL & CABLE CORPORATION  
9337 RAVENNA RD., UNIT C  
TWINSBURG, OHIO 44087

TITLE  
MAGNEMOUNT  
MODEL MB

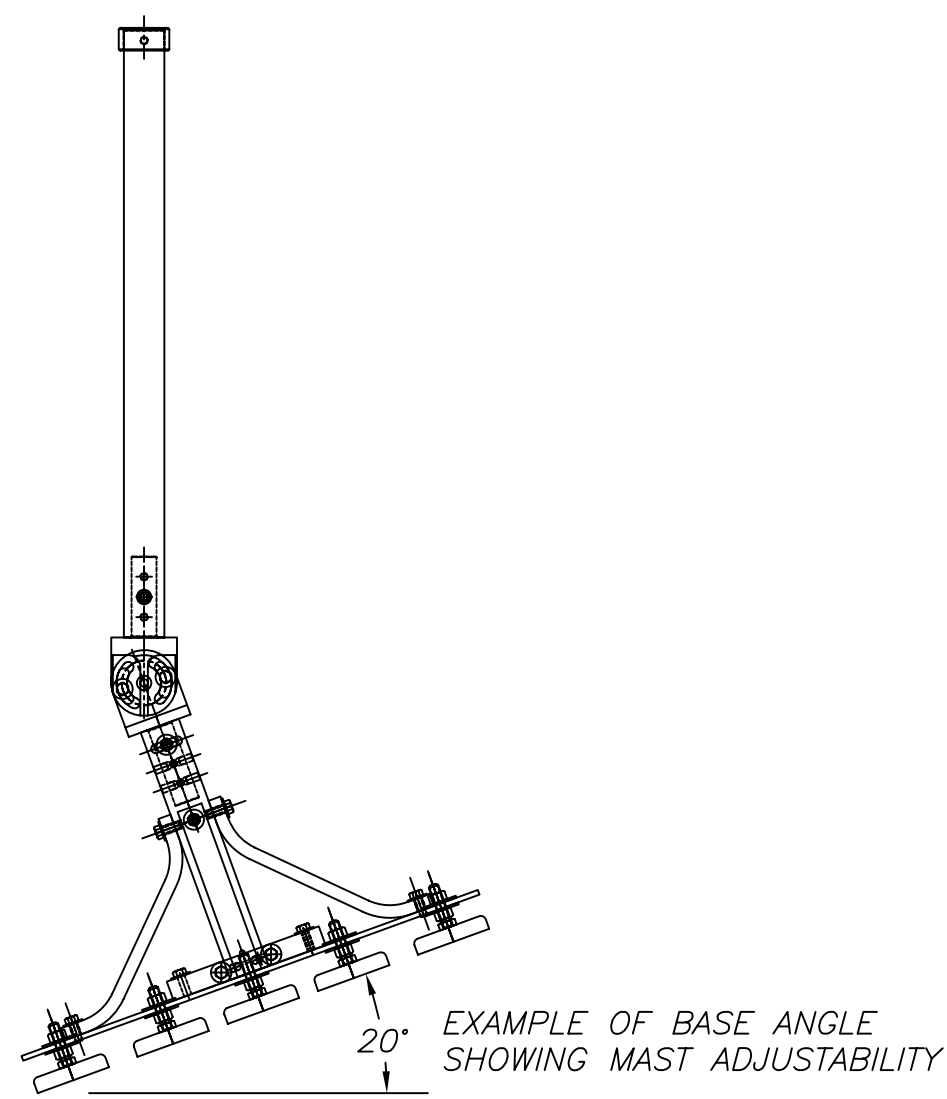
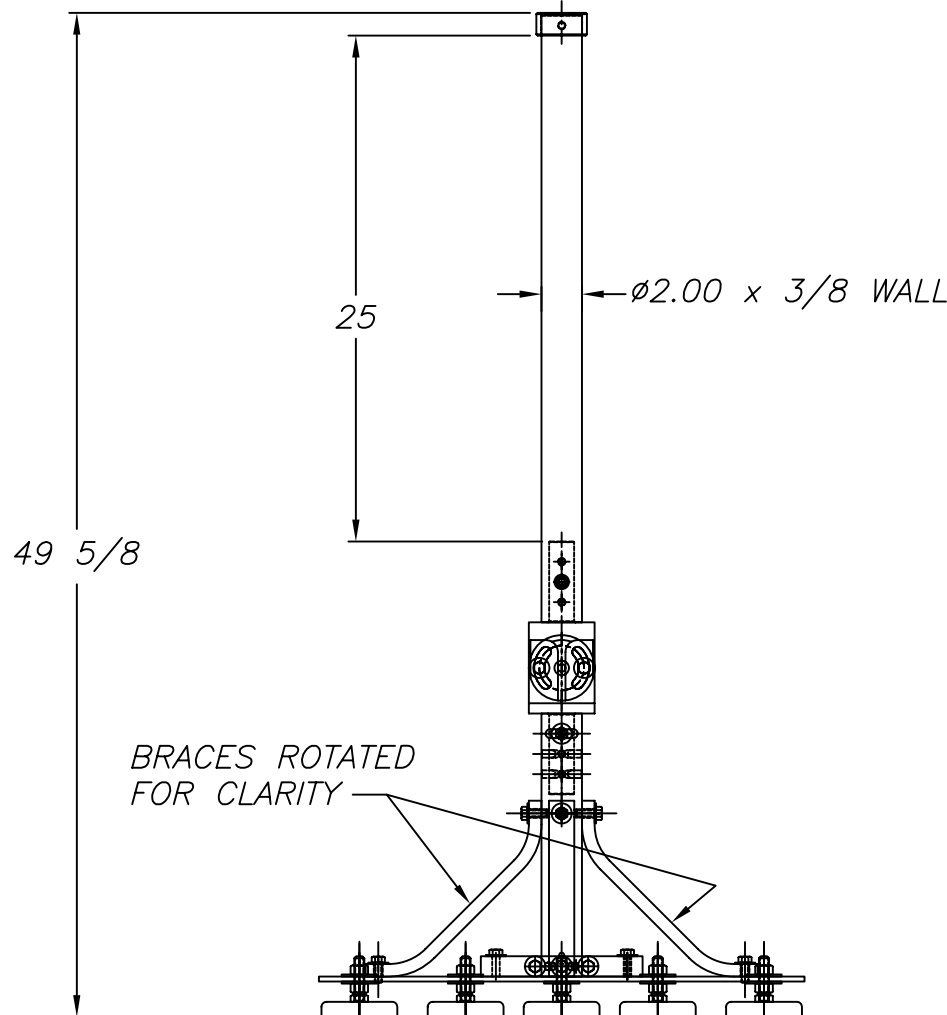
SIZE	DWG. NO.	REV.
C	MODEL MB	0

SCALE	WEIGHT	CALC.	ACT.	SHEET
NO		<input type="checkbox"/>	<input type="checkbox"/>	1 OF 1

NEXT ASSY	USED ON
APPLICATION	



REVISIONS				
EC N	REV.	DESCRIPTION	DATE	APPROVED



THIS DESIGN AND PRINT ARE THE EXCLUSIVE PROPERTY OF METAL & CABLE INC. AND SHALL NOT BE COPIED OR REPRODUCED, NOR TRANSMITTED OR DISCLOSED TO ANOTHER PARTY WITHOUT WRITTEN PERMISSION FROM ARGO TOOL INC. RECEIPT OF DRAWING CONSTITUTES AGREEMENT.

DO NOT SCALE THIS DRAWING UNLESS OTHERWISE SPECIFIED DIMENSIONS ARE IN IN. & LBS. TOLERANCES ARE:

FRACTIONS	DECIMALS
± 1/32	.X ± .100
ANGLES	.XX ± .010
± 0° 30'	.XXX ± .005

SURFACE FINISH IN MICROINCHES UNLESS OTHERWISE SPECIFIED 125 ✓

MAT'L

ENGINEERING DEPT.	
DRAWN	RLB
	7-27-09
ENGINEERING	

<b>M &amp; C</b>		METAL & CABLE CORPORATION 9337 RAVENNA RD., UNIT C TWINSBURG, OHIO 44087	
TITLE MAGNEMOUNT MODEL MA			
SIZE C	DWG. NO. MODEL MA	REV. 0	
SCALE NO	WEIGHT	CALC. ACT.	SHEET 1 OF 1

NEXT ASSY	USED ON
APPLICATION	

DWG. NO. MODEL MA  
SHEET REV. 1 0

8

7

6

5

4

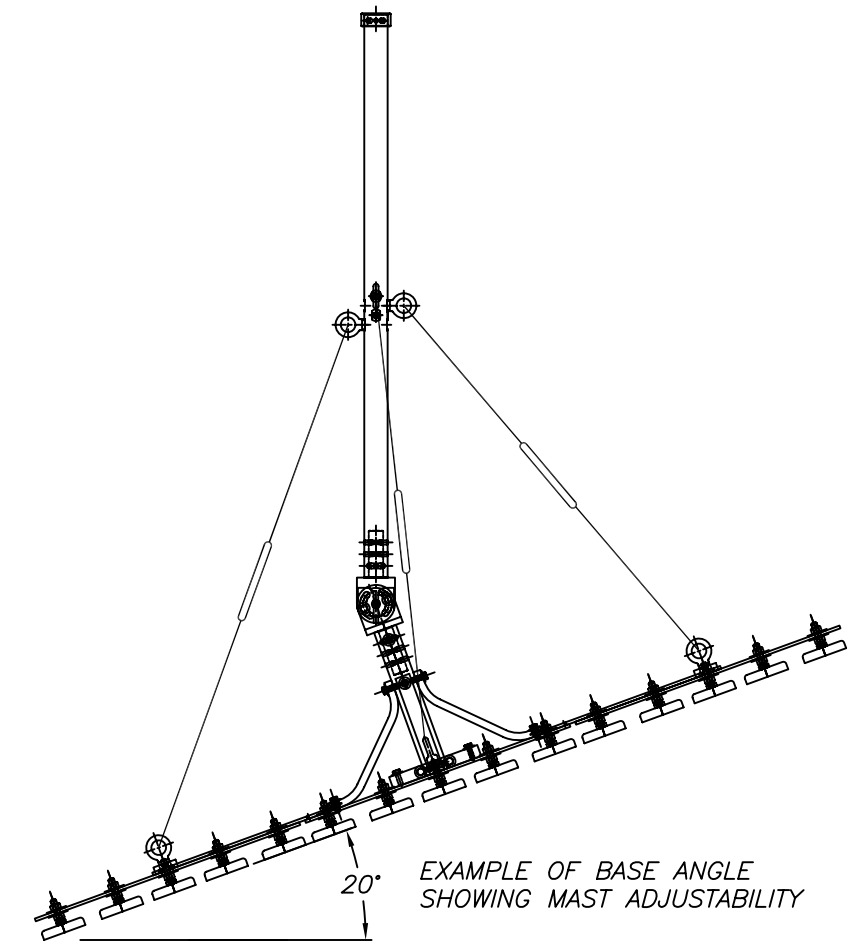
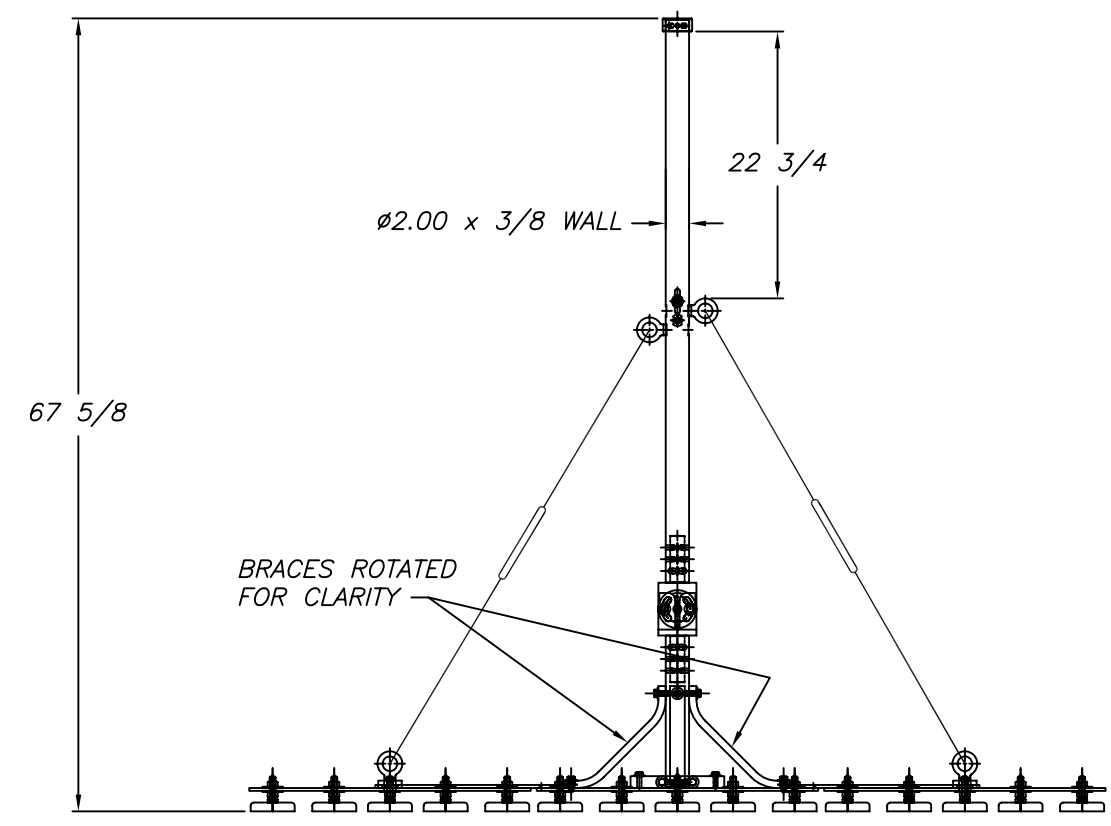
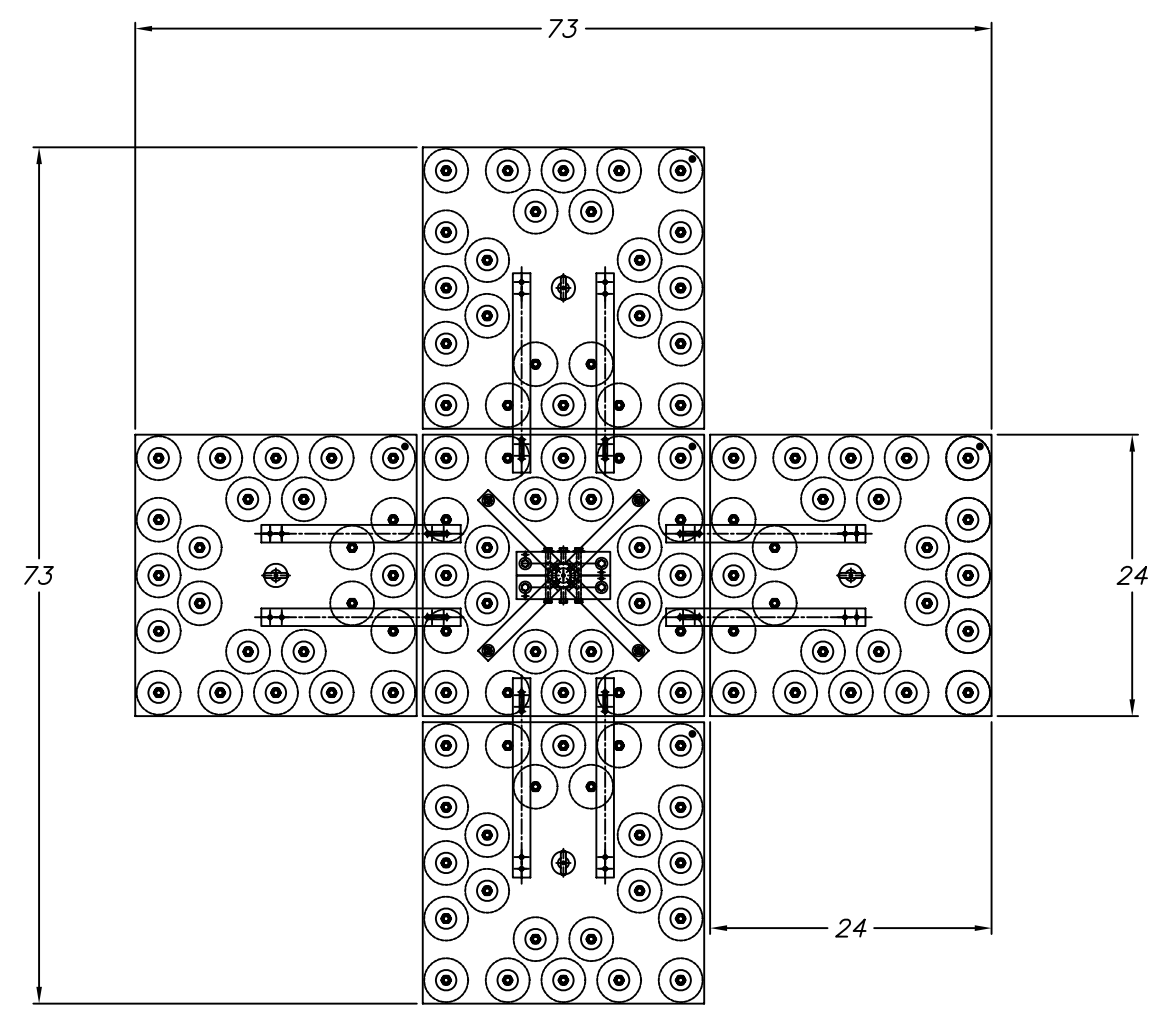
3

2

1

REVISIONS				
ECN	REV.	DESCRIPTION	DATE	APPROVED

DWG. NO. MODEL MASS  
 SHEET REV. 1 0



BRACES ROTATED FOR CLARITY

DO NOT SCALE THIS DRAWING UNLESS OTHERWISE SPECIFIED. DIMENSIONS ARE IN IN. & LBS. TOLERANCES ARE:	
FRACTIONS ± 1/32	DECIMALS .X ± .100 .XX ± .010 .XXX ± .005
SURFACE FINISH IN MICROINCHES UNLESS OTHERWISE SPECIFIED	
MATT'L	

ENGINEERING DEPT.	
DRAWN	DATE
RLB	7-27-09
APPROVALS	
DATE	
ENGINEERING	

<b>M &amp; C</b>		METAL & CABLE CORPORATION 9327 RAVENNA RD., UNIT C TVNSBURG, OHIO 44877	
TITLE MAGNEMOUNT MODEL MASS			
SIZE	DWG. NO.	REV.	
D	MODEL MASS	0	

SCALE	NO	WEIGHT	CALC.	ACT	SHEET
					1 OF 1

THIS DESIGN AND PRINT ARE THE EXCLUSIVE PROPERTY OF METAL & CABLE CORP. AND SHALL NOT BE COPIED OR REPRODUCED, NOR TRANSMITTED OR DISCLOSED TO ANOTHER PARTY WITHOUT WRITTEN PERMISSION FROM ARGO TOOL CORP. RECEIPT OF DRAWING CONSTITUTES AGREEMENT.

8

7

6

5

4

3

2

1

8

7

6

5

4

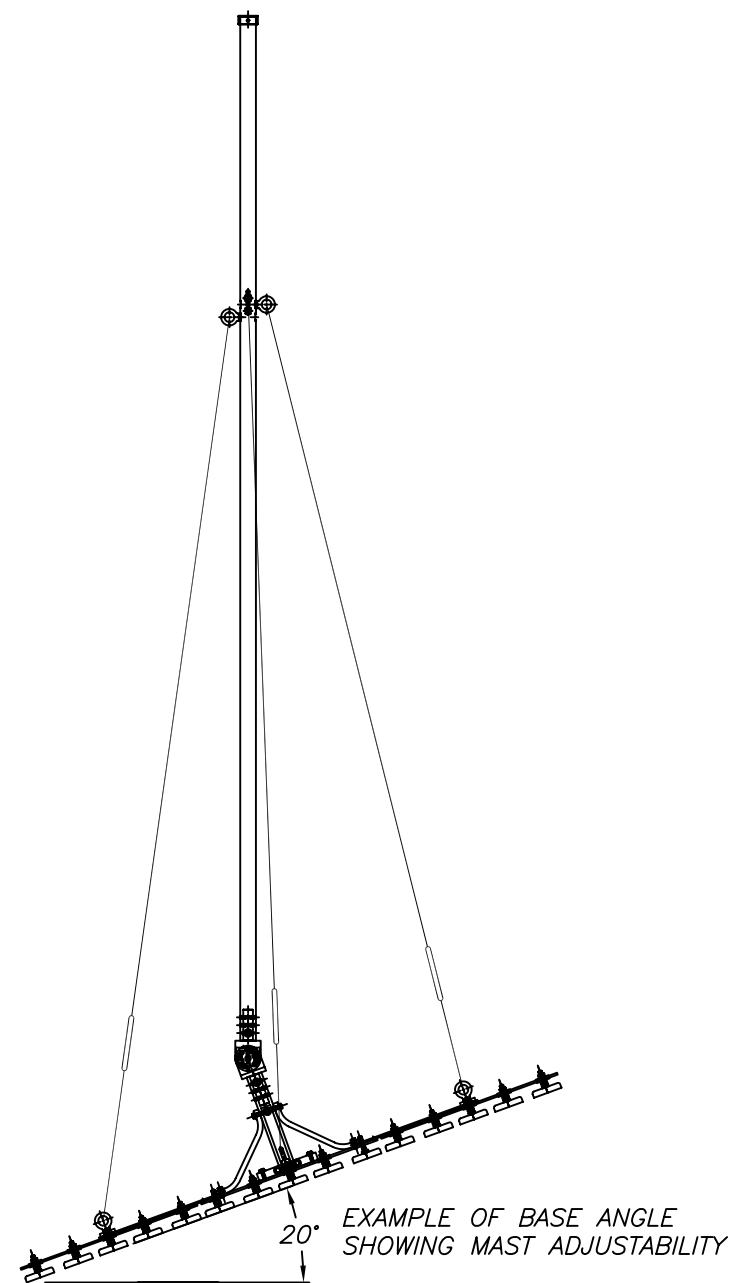
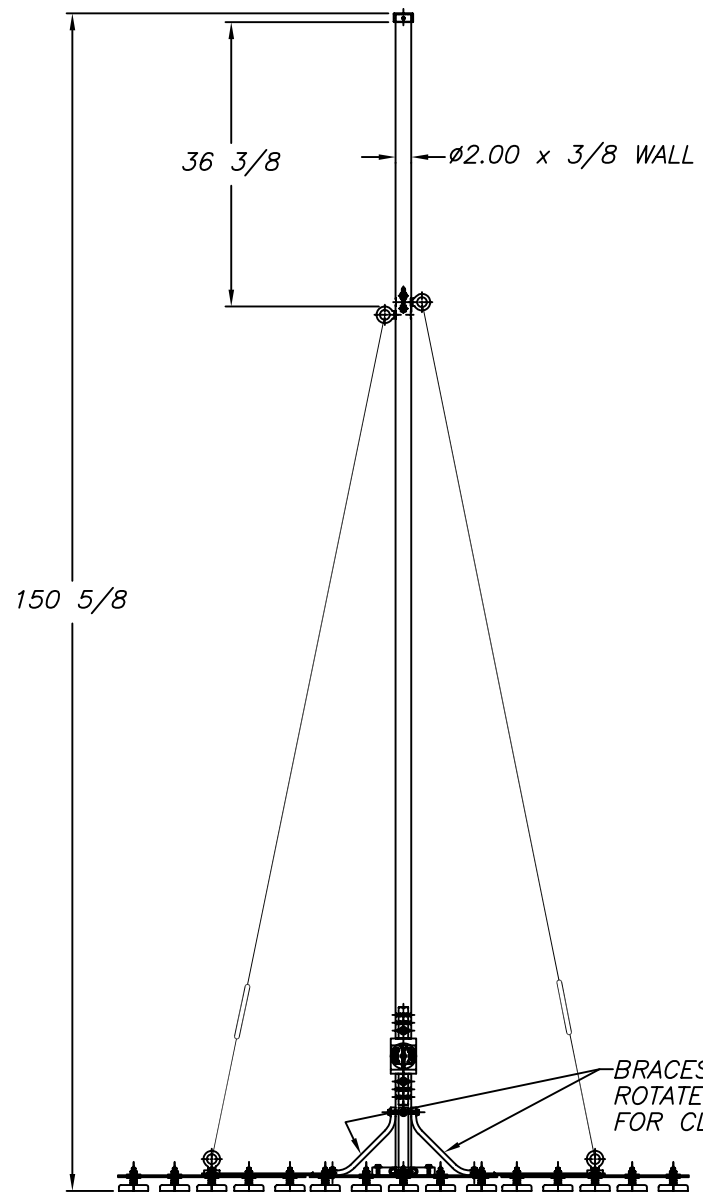
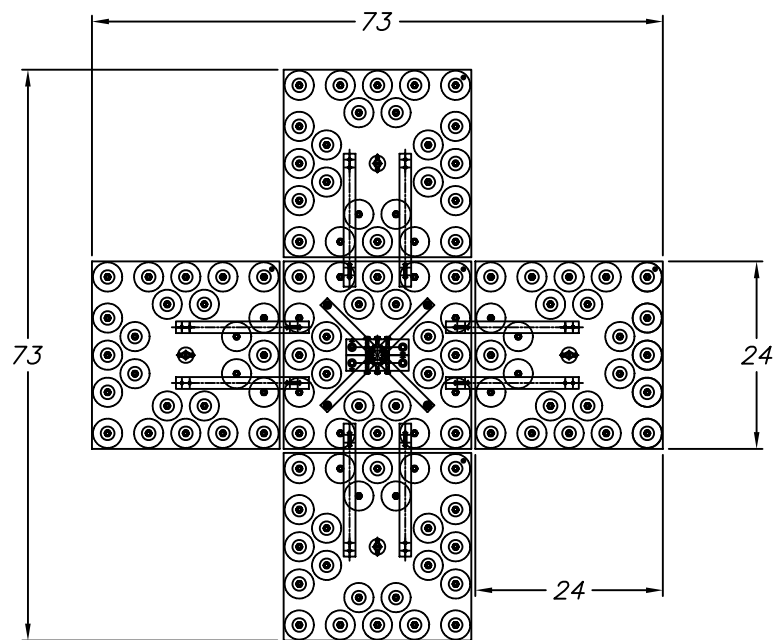
3

2

1

REVISIONS				
ECN	REV.	DESCRIPTION	DATE	APPROVED

DWG. NO. MODEL MASSXL  
SHEET REV. 1 0



DO NOT SCALE THIS DRAWING UNLESS OTHERWISE SPECIFIED. DIMENSIONS ARE IN IN. & LBS. TOLERANCES ARE:		ENGINEERING DEPT.		<b>M &amp; C</b>	METAL & CABLE CORPORATION 9327 RAVENNA RD., UNIT C TVNSBURG, OHIO 44887	
FRACTIONS $\pm 1/32$	DECIMALS .X $\pm .100$ .XX $\pm .010$ .XXX $\pm .005$	DRAWN RLB	7-27-09		TITLE MAGNEMOUNT MODEL MASSXL	SIZE D
SURFACE FINISH IN MICROINCHES UNLESS OTHERWISE SPECIFIED		APPROVALS		SCALE		REV. 0
NAT'L		ENGINEERING		NO		1 OF 1

THIS DESIGN AND PRINT ARE THE EXCLUSIVE PROPERTY OF METAL & CABLE CORP. AND SHALL NOT BE COPIED OR REPRODUCED, NOR TRANSMITTED OR DISCLOSED TO ANOTHER PARTY WITHOUT WRITTEN PERMISSION FROM ARGO TOOL CORP. RECEIPT OF DRAWING CONSTITUTES AGREEMENT.

APPLICATION	USED ON

8

7

6

5

4

3

2

1